



CHARACTERISTICS:

- 100% 316-SS construction.
- Swing bolts Rathmann type closure.
- Micro-casting girth flange and top cover with hinge and handle.
- Conform to 2014/68/UE PED Directive.
- Conform to 2014/34/UE ATEX Directive
- 1935/2004/CE certification available upon request
- Suitable for liquid and gas Gr. 1 and 2 filtration.
- Top entry bottom outlet nozzles design.
- Minimal hold up.
- Suitable for pressure up to 10 bar (16 bar as option size 1 and 2).
- Suitable for filtering bags size 1, 2, 3, 4.
- Suitable for pleated bags.
- Suitable for filtering bags with PolyformSEAL™.
- Suitable for high flow-rate and low spare cost.
- Single o-ring body/head seal design.
- Restrainer suitable for Delta-P up to 4 bar (10 bar Delta-P design available as option).
- 430-SS adjustable legs (only for size 1 and 2)
- Hydraulic test on 100% of manufactured filters.
- Customization for OEM available.



BTF Series

HOUSINGS
SINGLE BAG TOP ENTRY
LOW PRESSURE

MAIN APPLICATIONS:

- DESALINATION
- WATER TREATMENT
- PETROCHEMICAL
- FINE CHEMICAL
- FOOD & BEVERAGE
- POWER GENERATION
- PAINTS AND RESIN
- PHARMACEUTICAL
- MICROELECTRONIC
- GALVANIC
- HYDRAULIC
- STEEL MILL
- GENERAL INDUSTRY

ASCO FILTRI

a mott company

ASCO Filtri S.p.A.

Viale delle Scienze, 8

20082 Binasco (MI) - Italy

Phone: +39 02 89703.1

Fax: +39 02 89703.410

E-mail: info@ascofiltri.com

Web: www.ascofiltri.com

BTF Series

HOUSINGS
SINGLE BAG TOP ENTRY
LOW PRESSURE

TECHNICAL DATA

MAX. WORKING CONDITIONS

10 bar @ 100 °C
 16 bar @ 100 °C (option)

CONSTRUCTION MATERIALS

BODY:

- 316L-SS

GIRTH FLANGE, TOP COVER:

- 316-SS micro-casting

ADJUSTABLE LEGS:

- Standard:

430-SS glass bead blasted

- Option:

316L-SS electropolished

FINISHING

- A38:

Internal electropolished

External manual polishing

- A44:

Glass bead blasted int/ext

- A82:

Manual polishing int/ext

GASKETS

- EPDM max. 120 °C

- Viton max. 230 °C

- Silicone max. 230 °C

- FEP max. 250 °C

IN/OUT

- 1.1/2" GAS-M

- 2" GAS-M

VENT

- 3/8" GAS-F

ACCESSORIES

- Pressure gauge

- Vent valve

- Flanged connections

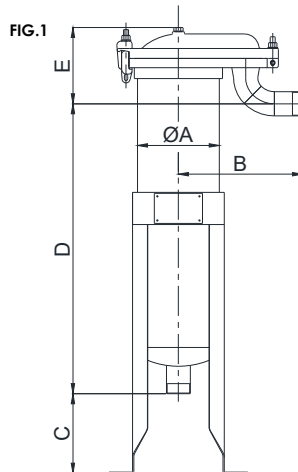
- Volume reducer

- Magnetic candle kit

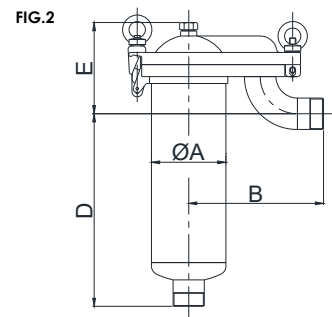
Dimensions:

Model	Q max. m ³ /h	Dimensions [mm]					In/out	Vol. [lt]	Weight [kg]	Fig.
		A	B	C	D	E				
BTF013	9	114.3	207	-	155.5	139	1.1/2" Gas-m	2.1	11	2
BTF014	15	114.3	207	-	295.5	139	1.1/2" Gas-m	3.5	12	2
BTF011	20	204	313.5	[1]	331.5	201	2" Gas-m	14	41	1
BTF012	35	204	313.5	[1]	711.5	201	2" Gas-m	25	45	1

Max. flow-rate referred to 50 µm filtering bags. Initial Delta-P 0.1 bar. Fluid water.
 Suggested flow-rate change according to the installed filtration rating.



1] "C" dimension adjustable, according to the selected model



Max. working pressure:

Fluid	Model			
	BFF013	BFF014	BFF011	BFF012
Liquid Gr. 2	10 bar	10 bar	10 bar	10 bar
Liquid Gr. 1	10 bar	10 bar	10 bar	10 bar
Gas Gr. 2	10 bar	10 bar	10 bar	8 bar
Gas Gr. 1	10 bar	10 bar	3.5 bar	2 bar

Where the 2014/68/EU PED Directive is applicable, in case of gas, the max. working pressure must be reduced. For different pressures contact ASCO Filtri. Solutions in accordance with PED Cat. II, III and IV available upon request.

Contact us for any further information.

We reserve the right to change the data of this specification without notice.

ASCO Filtri S.p.A.

Viale delle Scienze, 8

20082 Binasco (MI) - Italy

Phone: +39 02 89703.1

Fax: +39 02 89703.410

E-mail: info@ascofiltri.com

Web: www.ascofiltri.com

ASCO
FILTRI
 a **mott** company